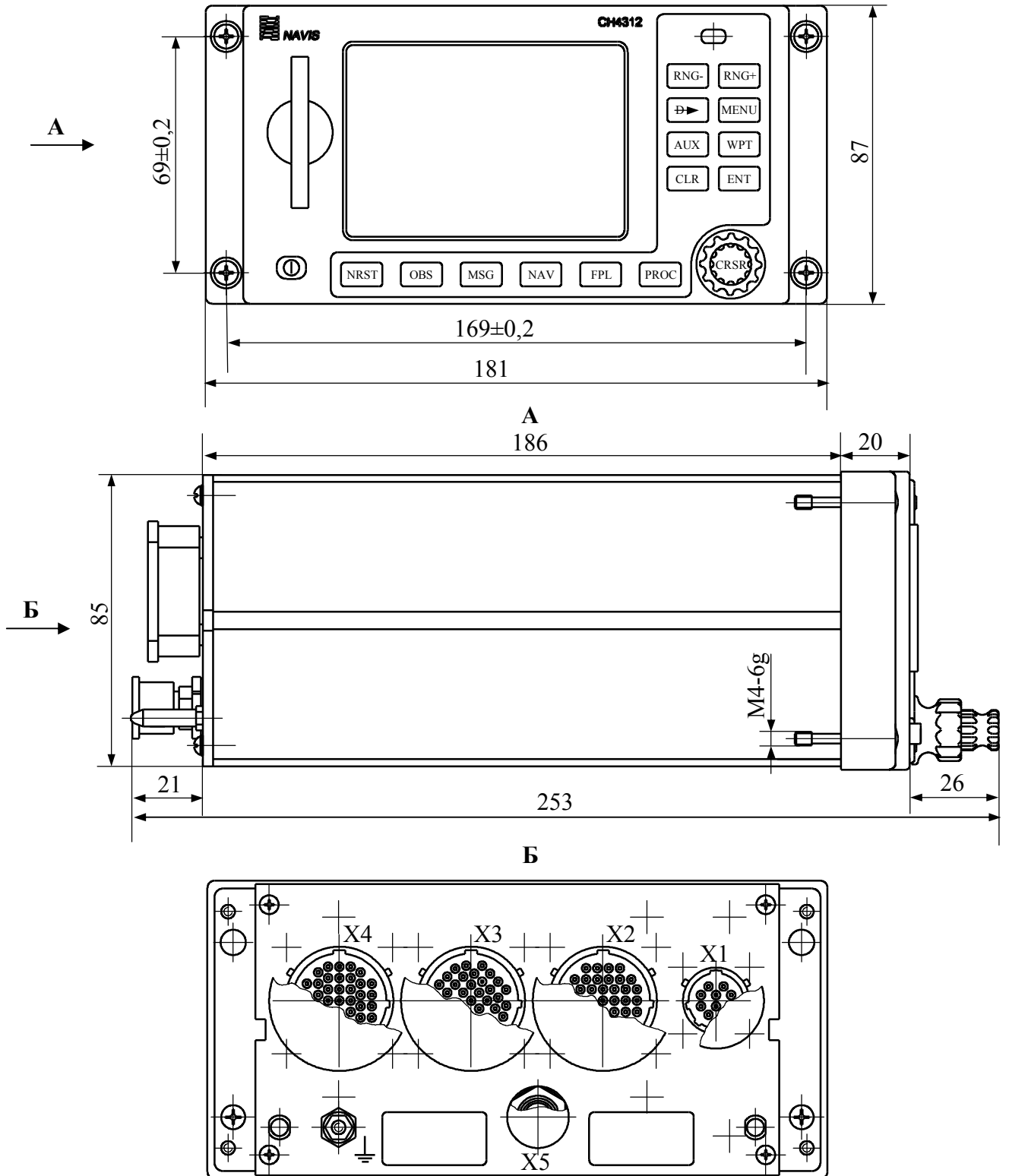


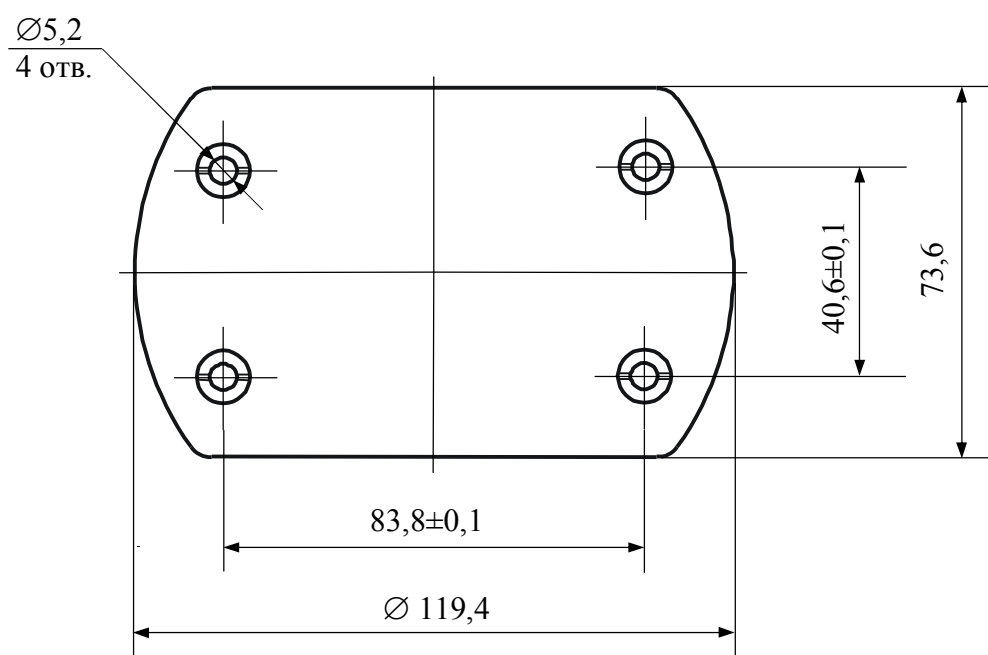
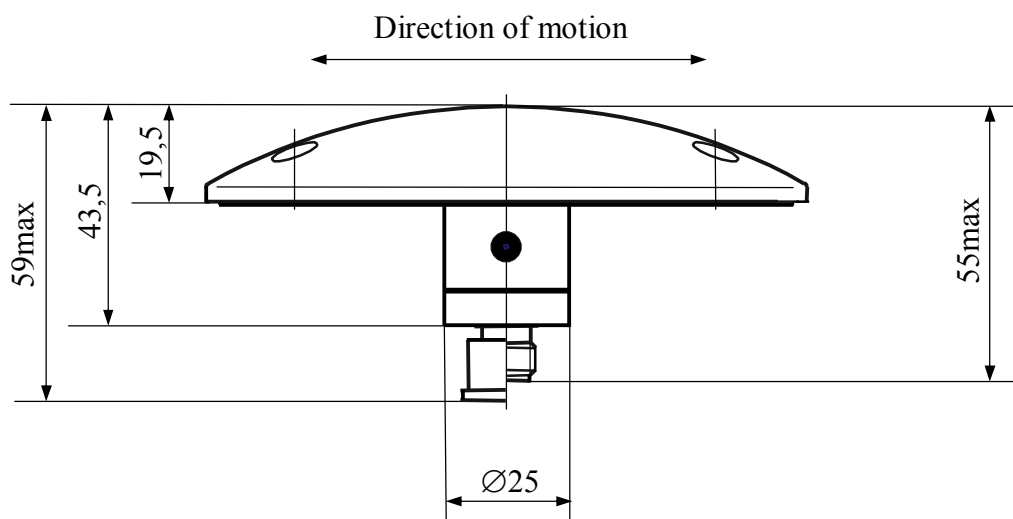
AIRBORNE EQUIPMENT OF SATELLITE NAVIGATION

CH-4312-02

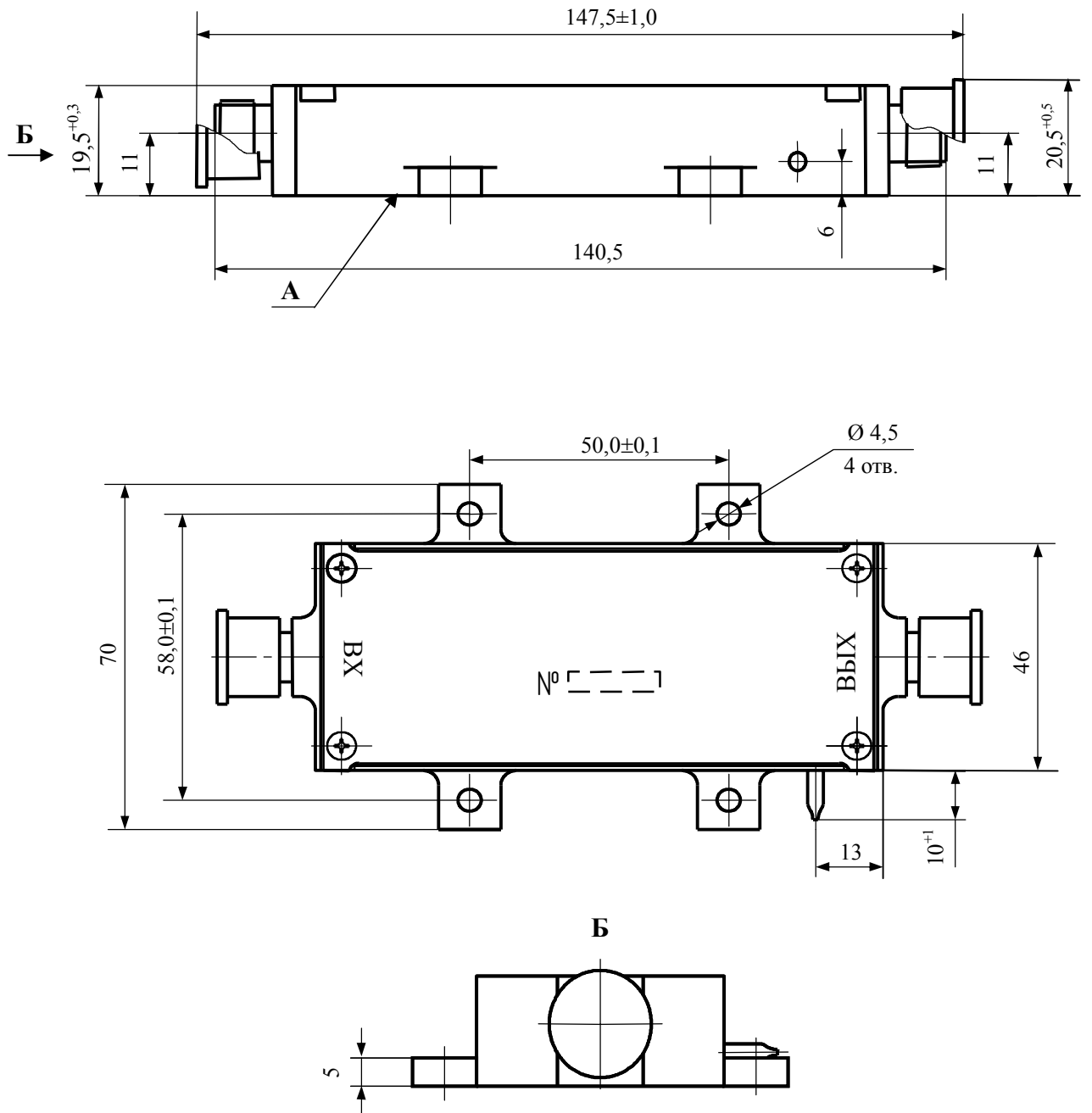
Outline drawing of receiver indicator and control unit



Outline drawing of A101II antenna

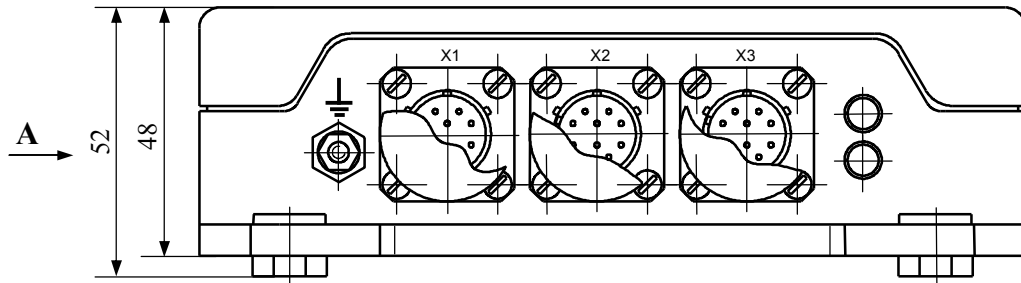


Overall draft of LNA-SSF



A - metallization surface of the LNA-SSF

Outline drawing of uninterruptible power supply



↑ Б(2)

